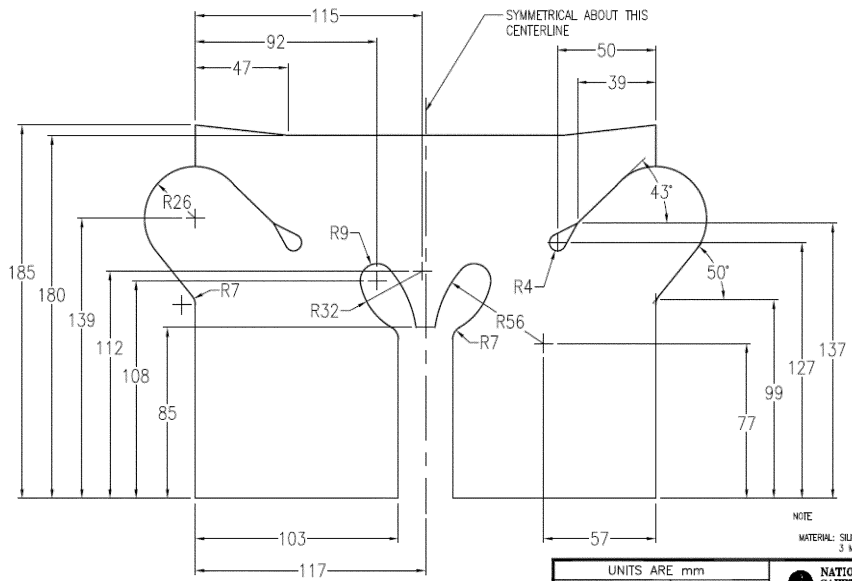


REVISION RECORD			
REV	DESCRIPTION	DATE	BY



NOTE
MATERIAL: SILICONE RUBBER - 50 A DUROMETER,
3 MM THICK

UNITS ARE mm		 NATIONAL HIGHWAY TRAFFIC SAFETY ADMINISTRATION	
TOLERANCES ARE: ±0.5mm - RADII/USES ±1.0mm - ALL OTHERS		SERIAL: SEE NOTE SCALE: NONE APPROVAL: DATE DRAWN BY: CLEVERLY 1/22/89/1 CHK:	6 YO AND 10 YO LAP SHIELD DRAWING NUMBER: SH ___ of ___ REV: B

Figure 13 – Lap Shield