

POWER SOURCE

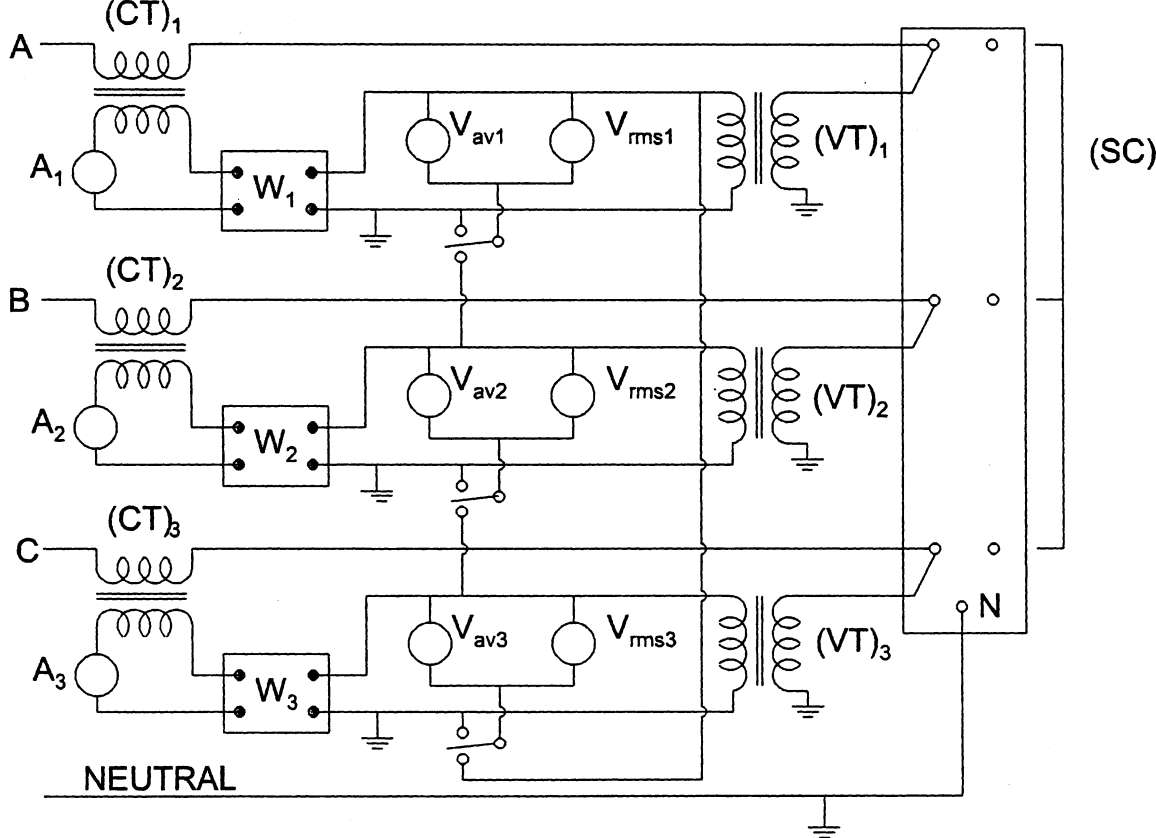


Figure 4.4 Three-Phase Test Set with Instrument Transformers