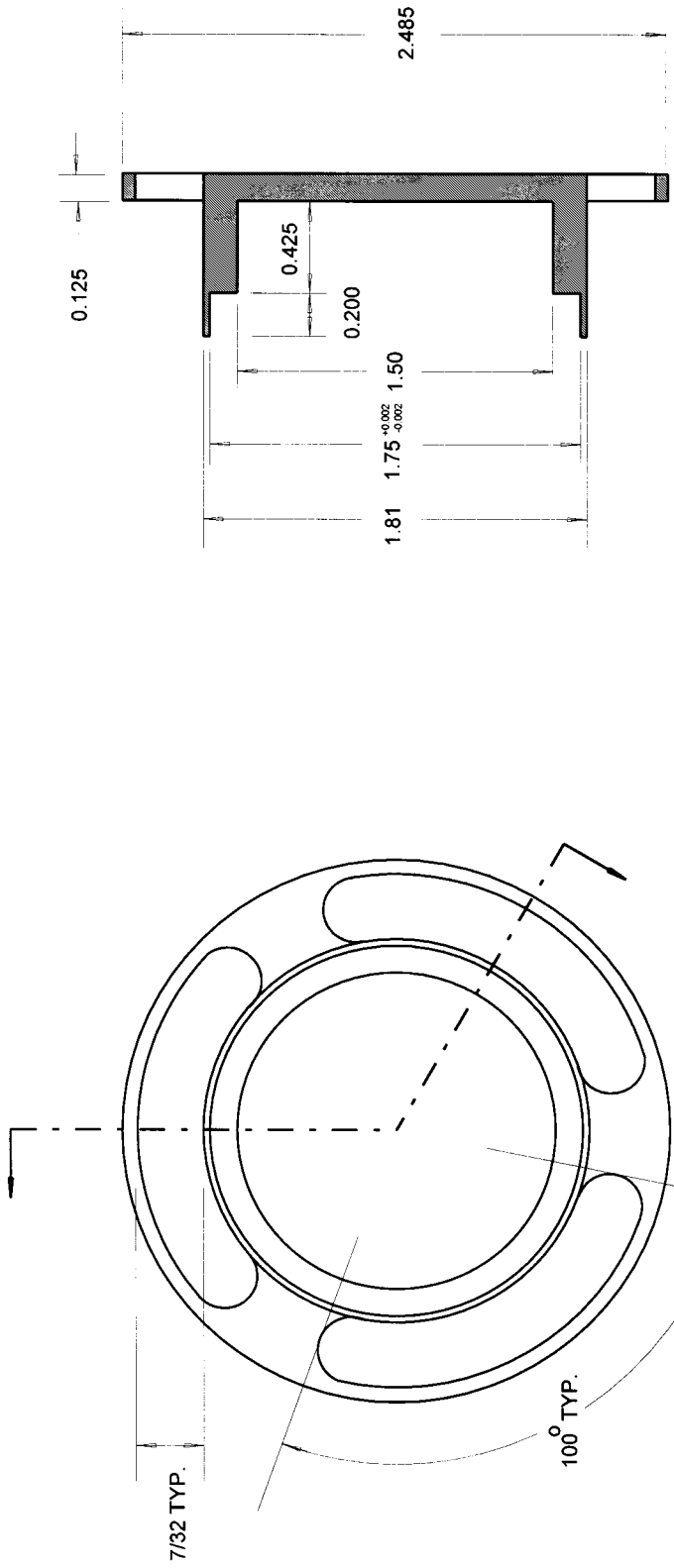


FIGURE L-23. 2.5-MICRON IMPACTOR WELL, LOWER SECTION



NOTES:

- (1) CLEAR ANODIZE
- (2) 32 RMS FINISH ALL OVER
- (3) MATERIAL IS ALUMINUM 6061-T6

TOLERANCES		
2 PLCS	3 PLCS	ANGLE
+/- 0.010	+/- 0.005	+/- 15'
	FRAC	
	+/- 1/64	

ALL DIMENSIONS ARE INCHES