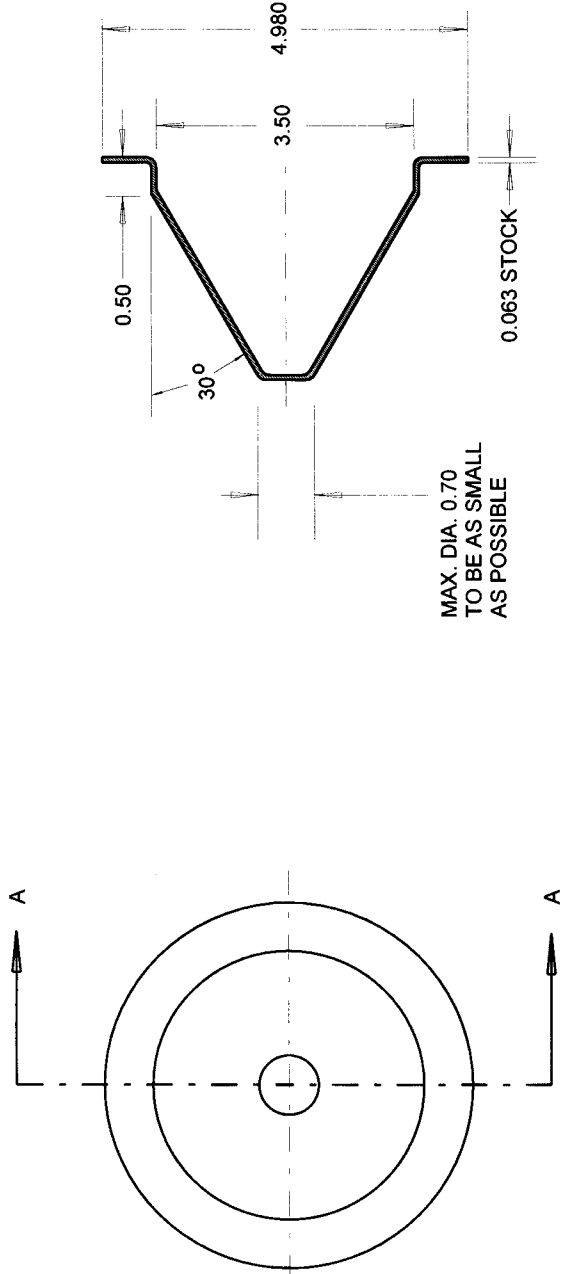


FIGURE L-7. 10-MICRON WIND DEFLECTOR



TOP VIEW

NOTES:

- (1) COMMERCIAL SPINNING TOLERANCES ARE ACCEPTABLE
- (2) MATERIAL IS SPUN 6061-T0 ALUMINUM, POST-HEAT TREATED TO -T4
- (3) CLEAR ANODIZE

TOLERANCES			
2 PLCS +/- 0.010	3 PLCS +/- 0.005	FRAC +/- 1/64	ANGLE +/- 15'

ALL DIMENSIONS ARE INCHES