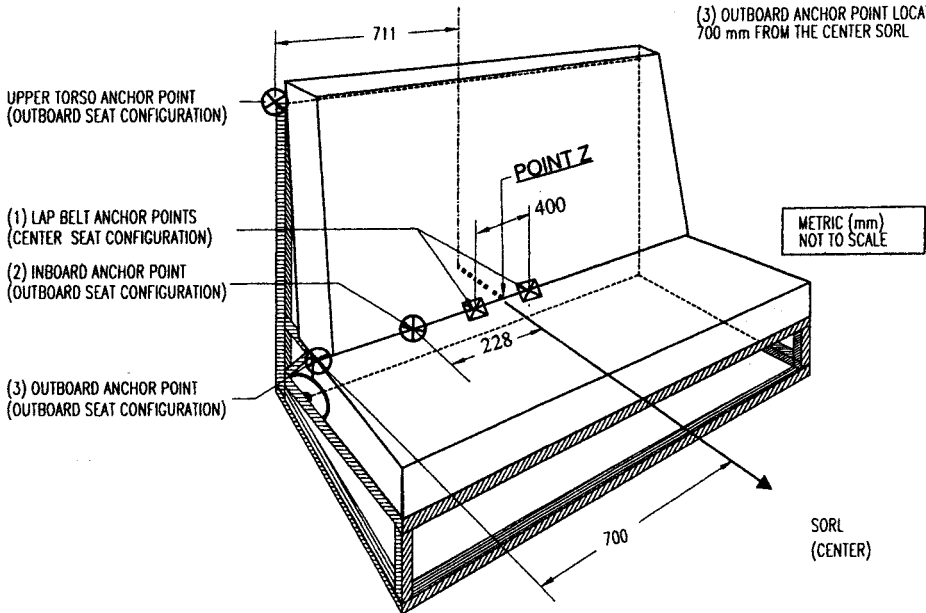


NOTES:

(1) LAP BELT ANCHOR POINTS ARE SYMMETRICALLY LOCATED WITH RESPECT TO THE CENTER SORL

(2) MAXIMUM DISTANCE FROM THE SEAT BIGHT TO THE END OF THE BUCKLE IS 175 mm

(3) OUTBOARD ANCHOR POINT LOCATED 700 mm FROM THE CENTER SORL



SEAT ORIENTATION REFERENCE LINE AND BELT ANCHORAGE POINT LOCATIONS
ON THE STANDARD SEAT ASSEMBLY

Figure 1A