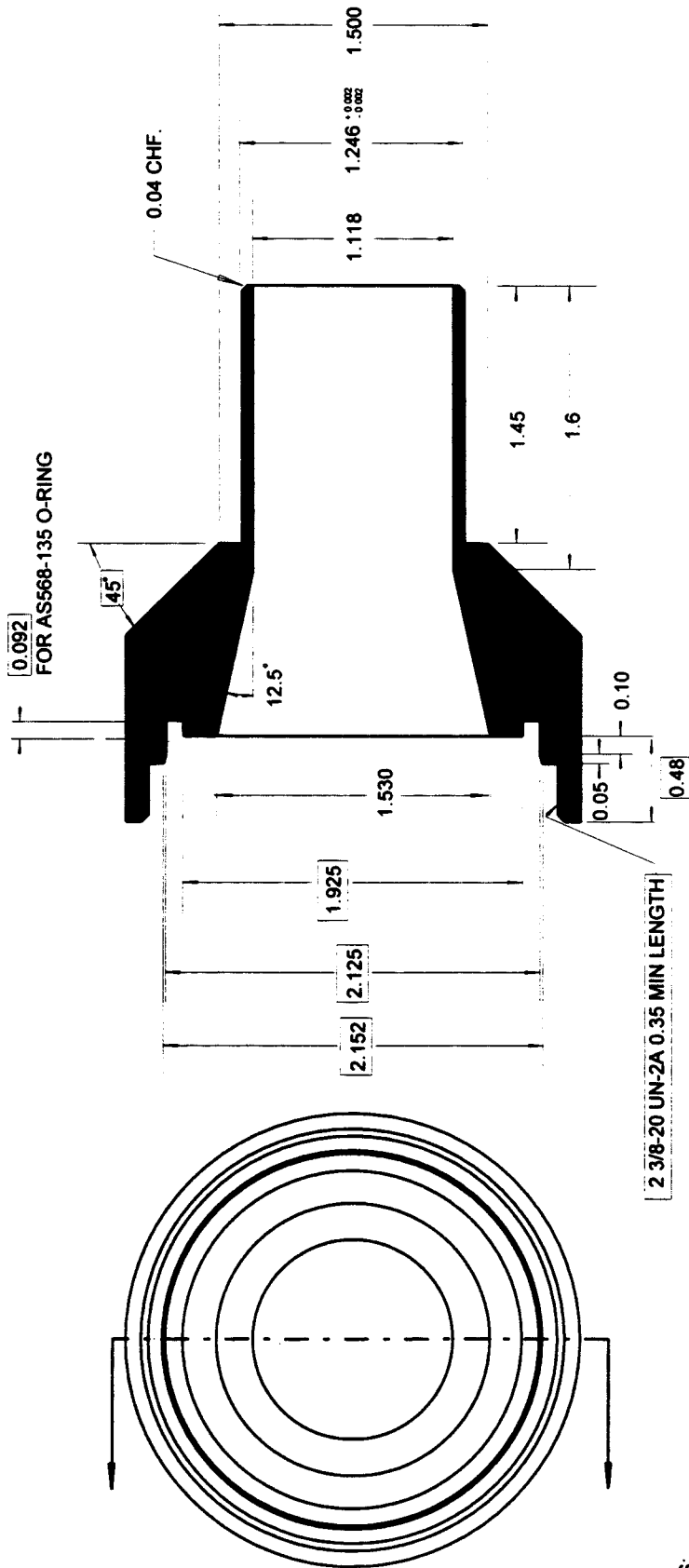


FIGURE L-26. FILTER HOLDER, TOP



NOTES:

- (1) MATERIAL IS ALUMINUM
- (2) CLEAR ANODIZE
- (3) 32 RMS FINISH ALL OVER
- (4) BOXED DIMENSIONS ARE OPTIONAL
- (5) THIS PART AND 2.5-MICRON IMPACTOR HOUSING, LOWER (FIGURE L-24) MAY BE MACHINED AS ONE PIECE; INTERNAL SURFACES AND DIMENSIONS MUST BE AS SHOWN

| TOLERANCES | | | |
|------------|-----------|----------|---------|
| 2 PLCS | 3 PLCS | FRAC | ANGLE |
| +/- 0.010 | +/- 0.005 | +/- 1/64 | +/- 15' |

ALL DIMENSIONS ARE INCHES