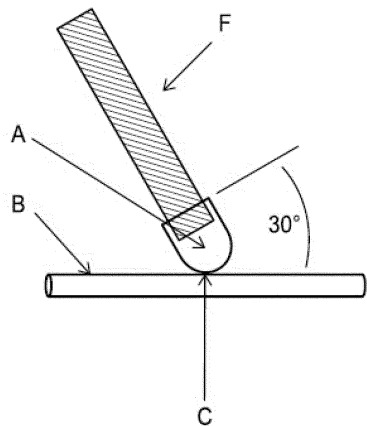
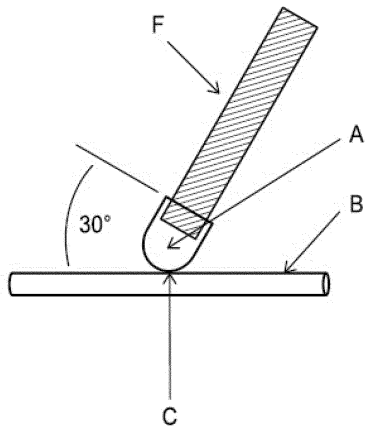


Figure 6E to Subpart A of Part 1211

Top View – Horizontal Swing Door – Wraparound Edge



A – Edge Sensor

B – 1-7/8" Diameter Cylinder

C – 15 Pound Force

F – Direction of travel