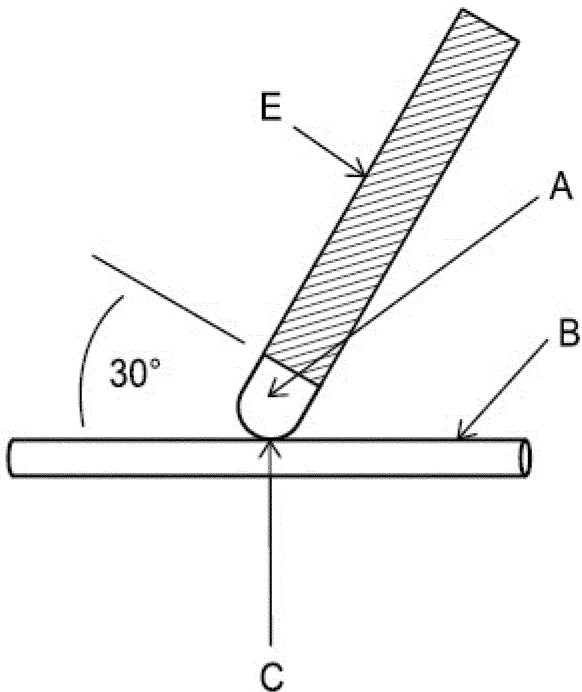


Figure 6D to Subpart A of Part 1211

Top View – Horizontal Swing Door



- A – Edge Sensor
- B – 1-7/8" Diameter Cylinder
- C – 15 Pound Force
- D – Ground/Floor
- E – Outside Surface