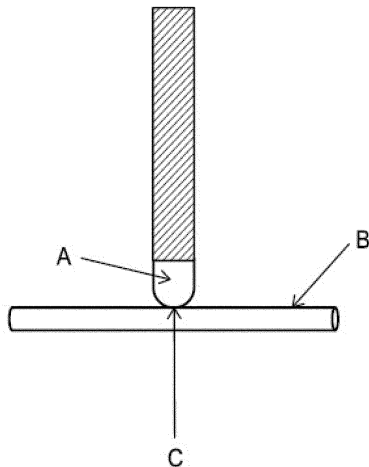


# Figure 6B to Subpart A of Part 1211

## Top View – Horizontally Moving Door



A – Edge Sensor

B – 1-7/8" Diameter Cylinder

C – 15 Pound Force