

CENTERLINE OF VEHICLE

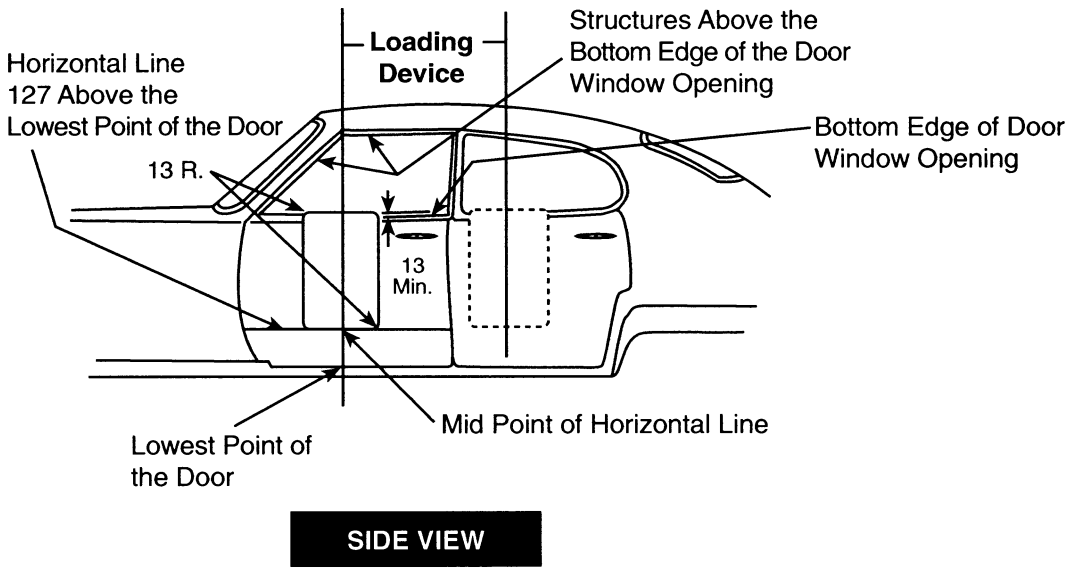
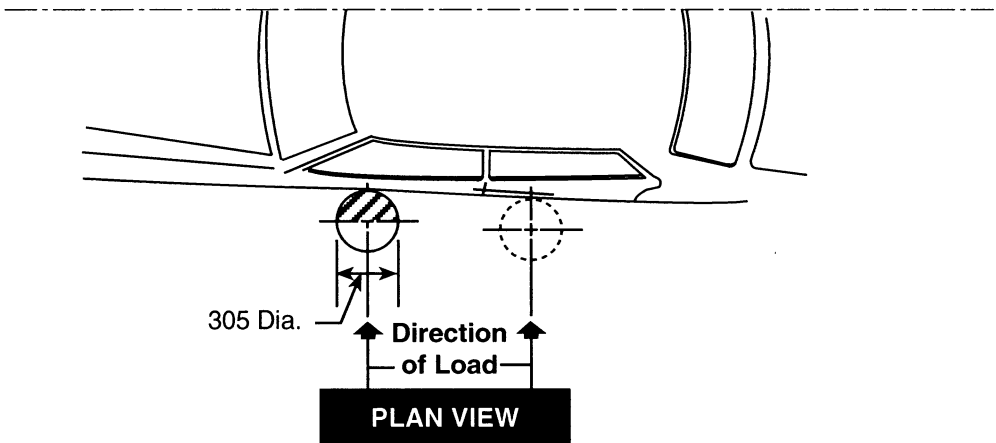


Figure 1—LOADING DEVICE LOCATION AND APPLICATION TO THE DOOR

All dimensions in millimeters (mm)