

# LADDER TREAD DIMENSIONS

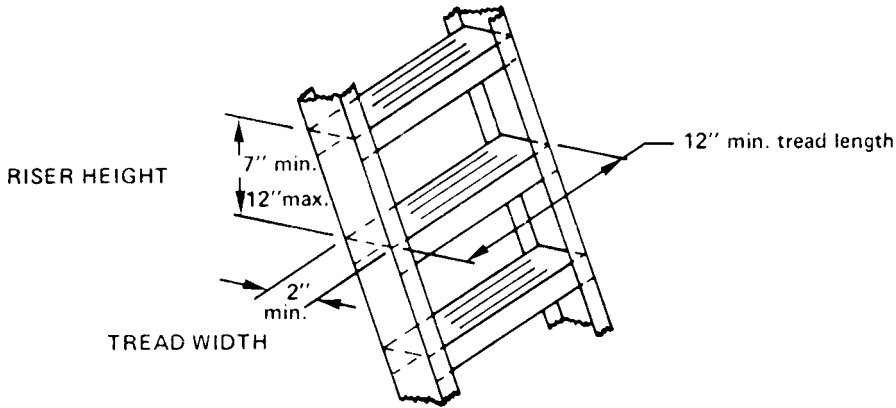


FIGURE B