

MOUNTING BRACKET-LUMBAR TEST FIXTURE

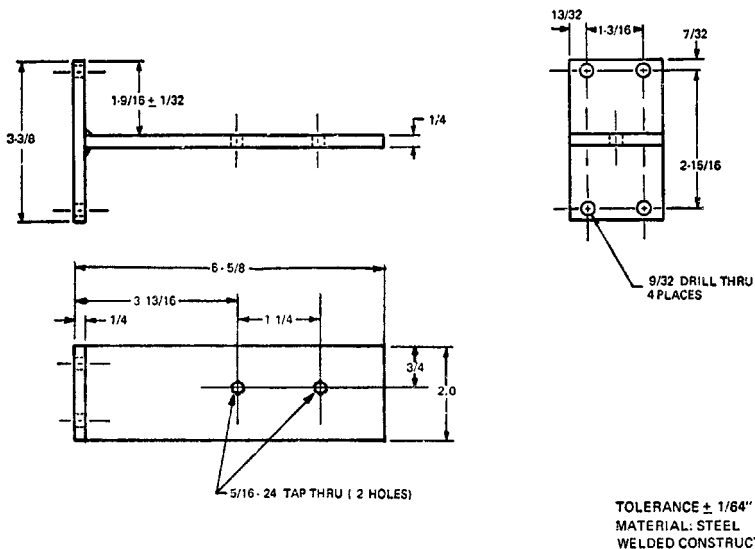
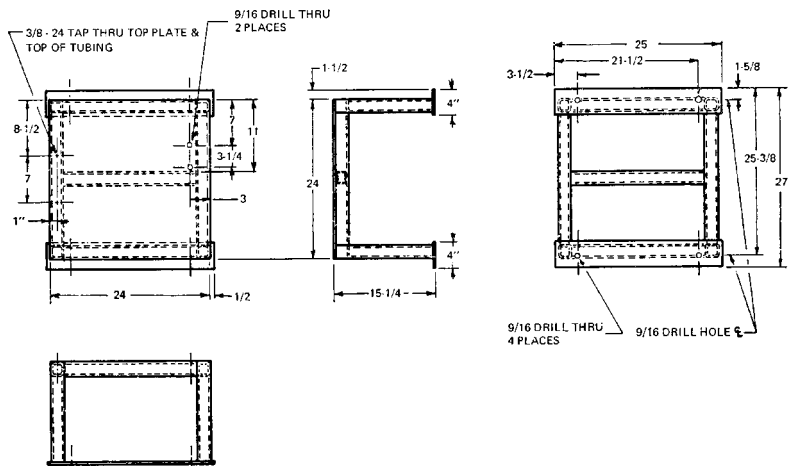


FIGURE NO. 8  
 BEDPLATE - LUMBAR TEST FIXTURE



**MATL: STEEL - 1/4 THICK PLATE & 2 X 2-1/4 WALL SQ. TUBING**  
**WELDED CONSTRUCTION**

**TOLERANCE:  $\pm 1/32$ "**